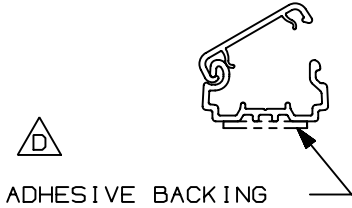
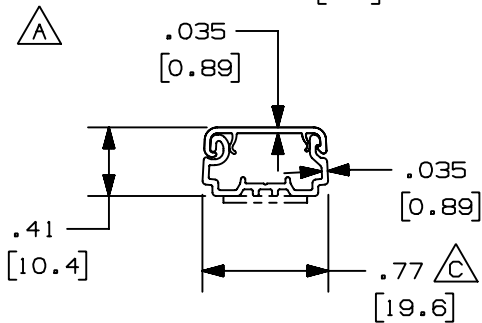
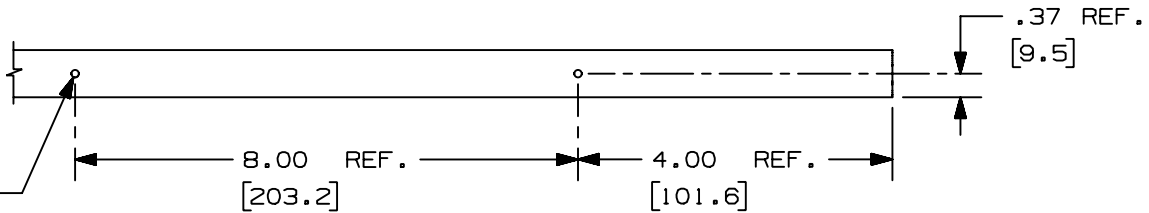


THIS COPY IS PROVIDED ON A RESTRICTED BASIS AND IS NOT TO BE USED IN ANY WAY DETRIMENTAL TO THE INTERESTS OF PANDUIT CORP.

PANDUIT PART NO.	LENGTH	WEIGHT
LDPH3**6-A	72.00 ±.18 [1828.8 ±4.6]	.04 LBS/FT [.19 g/mm]
LDPH3**8-A	96.00 ±.18 [2438.4 ±4.6]	
LDPH3**10-A	120.00 ±.18 [3048.0 ±4.6]	
LDPH3**2-A	78.74 ±.18 [2000.0 ±4.6]	



LDPH3 OPEN POSITION



LDPH3 CLOSED POSITION

NOTES:

- SEE CURRENT CATALOG FOR ADDITIONAL PART NUMBER SUFFIXES TO INDICATE COLORS AND/OR PACKAGE QUANTITY.
- PART IS DESIGNED TO SUPPORT MAXIMUM WEIGHT ON A CLEAN, DRY, SMOOTH SURFACE. THE SURFACE MUST BE PROPERLY PREPARED IN ACCORDANCE WITH PANDUIT RECOMMENDATIONS.
- TO APPLY PART (ADHESIVE BACKING INSTALLATION ONLY):
 - REMOVE PROTECTIVE FILM
 - PLACE PART IN DESIRE LOCATION
 - APPLY PRESSURE TO FLAT SURFACE ON RACEWAY
- DIMENSIONS IN PARENTHESES ARE IN METRIC.
- NO WARRANTY, EXPRESSED OR IMPLIED, IS MADE BY PANDUIT WITH RESPECT TO ADHESIVE BOND PERFORMANCE. THE CONDITIONS UNDER WHICH THESE RACEWAYS MAY BE APPLIED AND/OR THE SURFACE TO WHICH THEY MAY BE APPLIED ARE BEYOND PANDUIT'S CONTROL.

CAD FILENAME/LAYERS B D38737B0_DC_LDPH3_01B.PRT

PANDUIT CORP. TINLEY PARK, ILLINOIS
HINGED LDPH3 RACEWAY (LDPH3) CUSTOMER DRAWING

REV	DATE	BY	CHK	DESCRIPTION	ECN	CHK	CUST	SUP
-	-----	---	---	RELEASED TO PRODUCTION	-----	-----		
-	-----	---	---	F. REVISED PART DESCRIPTION IN TITLE BLOCK E. REVISED NOTES: #2 AND #3	-----	-----		
2	04-15-05	JBN	BKR	D. REVISED NOTATION C. REVISED DIMENSION: .077 WAS .075	38737-14	RGRO	RGRO	
1	02-24-05	JBN	BKR	B. REVISED CAD FILE NAME A. REVISED BASE AND COVER GEOMETRY				
R	09-22-04	JBN	BKR	DRAWING RELEASED				

UNLESS OTHERWISE SPECIFIED, DIMENSIONAL TOLERANCES ARE: (.X) ± (.XXX) ±.010 (.25) (.XX) ±.03 (.8) ANGLES ±		UNLESS OTHERWISE SPECIFIED, ALL DIMENSIONS ARE GIVEN IN INCHES, THIRD ANGLE PROJECTION.	
DRAWN BY JBN	MAT'L: PVC	SCALE NONE	
DATE 09-22-04		DRAWING NO. 38737-14	DWG A
CHK'D BKR			SIZE